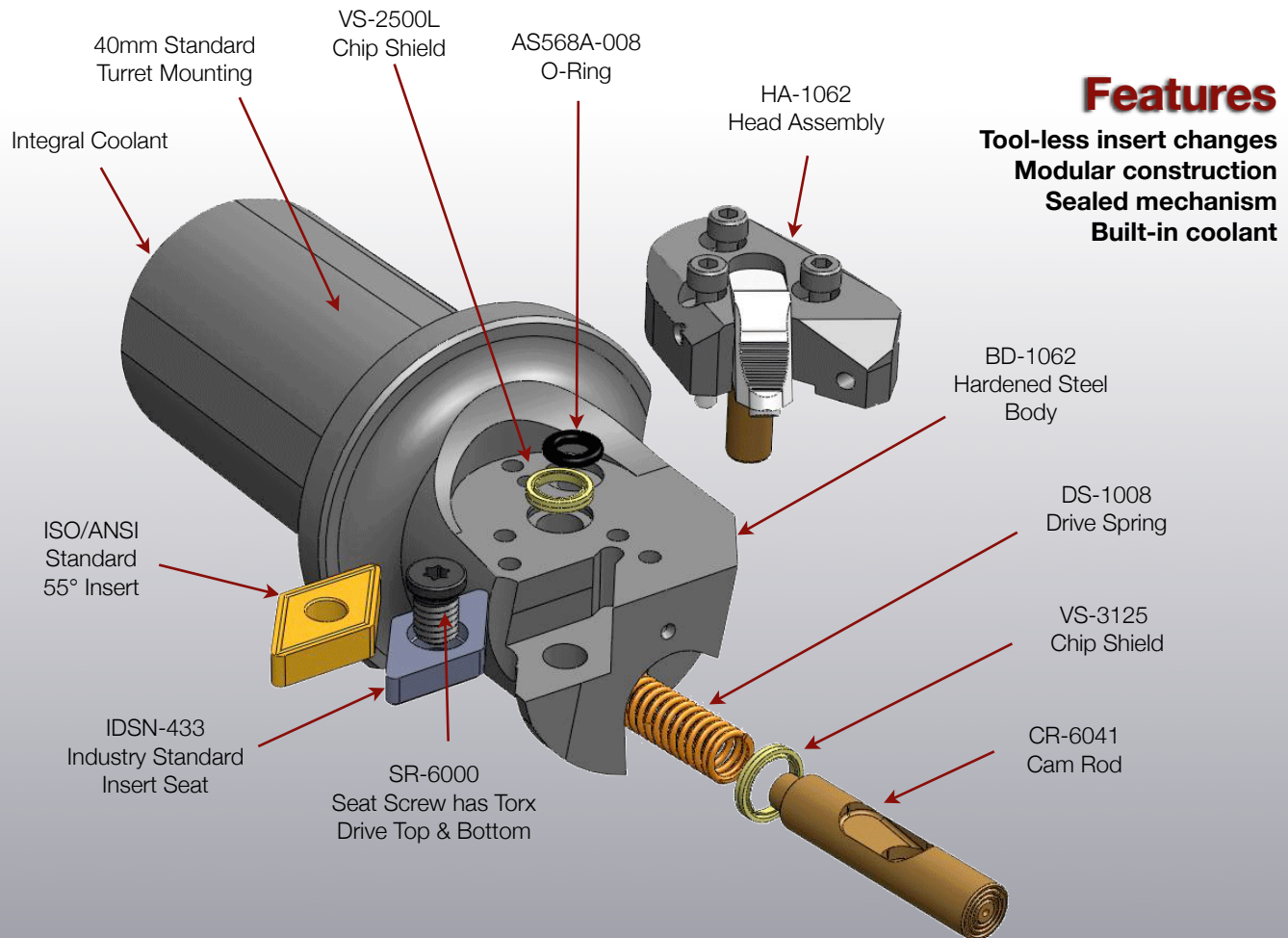


AR-1062 Parts & Price Detail

40mm Stub Length Boring Tool – 55° Diamond Insert with 91° Lead



Features

Tool-less insert changes
Modular construction
Sealed mechanism
Built-in coolant

Part Number	Qty	Description	Price
AR-1062	1	Complete Tool	398.50
BD-1062	1	Body	315.25
HA-1062	1	Head Assembly	139.75
DS-1008	1	Drive Spring	5.50
VS-2500L	1	V-Seal (.250)	8.50
VS-3125	1	V-Seal (.3125)	8.50
IDSN-433	1	Shim Seat	4.50
SR-6000	1	Shim Screw	9.50
AS568A-008	1	O-Ring	4.50
CR-6041	1	Cam Rod	21.25

**See your Distributor
or Call NOW!**
800-466-3131
clickchange.com