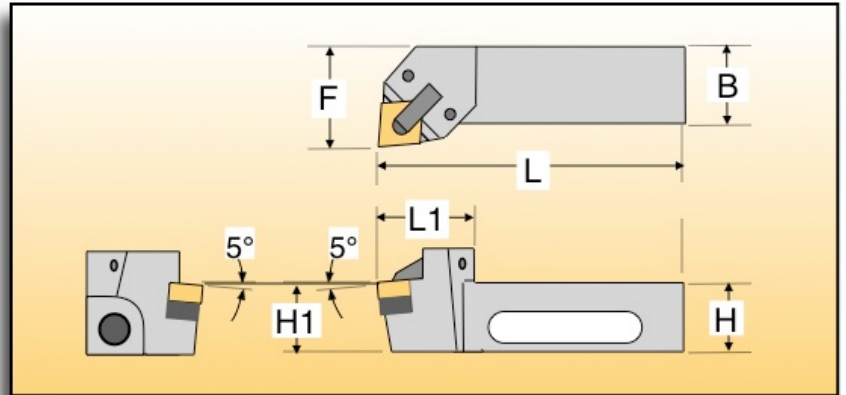
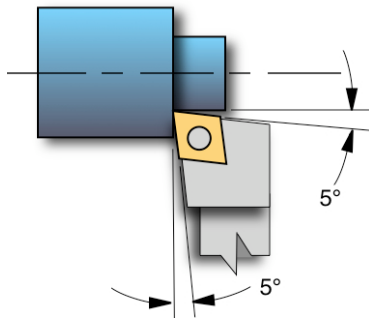


# Click Change Lathe Tool Holders

U.S. Patent 7153069 other US & foreign patents pending  
Specifications are subject to change without notice

## DCLNR/L - CNMG, 80° Diamond

This tool is designed for turning and facing applications where cutting loads are heavy. The DWLNR/L or GWLNR/L is more economical (6 tips per insert) if insert grades and cutting conditions allow.



| Metric Sizes   |  |   | Dimensions in Millimeters |                     |                       |                        |                    |                     |          |              |            |  |
|----------------|--|---|---------------------------|---------------------|-----------------------|------------------------|--------------------|---------------------|----------|--------------|------------|--|
| Catalog Number |  | Gage Insert                                       | H                         | B                   | H1                    | L                      | F                  | L1                  | Shim     | Options      |            |  |
| Right Hand     | Left Hand  |   | Shank Height<br>±.10      | Shank Width<br>±.15 | Insert Height<br>±.08 | Overall Length<br>±.08 | Tip Offset<br>±.08 | Head Length<br>±.15 |          | Coolant Head | Parts List |  |
| DCLNR-2020J-12 | <input type="checkbox"/> DCLNL-2020J-12            | <input type="checkbox"/> CNMG 12 04 08            | 20.00                     | 20.00               | 20.00                 | 110.00                 | 30.00              | 30.00               | ICSN-433 | CHM-1002     | PLM-1002   |  |
| DCLNR-2020K-12 | <input checked="" type="checkbox"/> DCLNL-2020K-12 | <input checked="" type="checkbox"/> CNMG 12 04 08 | 20.00                     | 20.00               | 20.00                 | 125.00                 | 30.00              | 30.00               | ICSN-433 | CHM-1002     | PLM-1002   |  |
| DCLNR-2525K-12 | <input type="checkbox"/> DCLNL-2525K-12            | <input type="checkbox"/> CNMG 12 04 08            | 25.00                     | 25.00               | 25.00                 | 125.00                 | 32.00              | 32.00               | ICSN-433 | CHM-1002     | PLM-1002   |  |
| DCLNR-2525M-12 | <input checked="" type="checkbox"/> DCLNL-2525M-12 | <input checked="" type="checkbox"/> CNMG 12 04 08 | 25.00                     | 25.00               | 25.00                 | 150.00                 | 32.00              | 32.00               | ICSN-433 | CHM-1002     | PLM-1002   |  |
| DCLNR-3225P-12 | <input checked="" type="checkbox"/> DCLNL-3225P-12 | <input checked="" type="checkbox"/> CNMG 12 04 08 | 32.00                     | 25.00               | 32.00                 | 170.00                 | 32.00              | 32.00               | ICSN-433 | CHM-1002     | PLM-1002   |  |

■ Normally Stocked    □ Special Order

| Inch Sizes     |  |  | Dimensions in Inches  |                      |                        |                         |                     |                      |          |              |            |  |
|----------------|--|--|-----------------------|----------------------|------------------------|-------------------------|---------------------|----------------------|----------|--------------|------------|--|
| Catalog Number |  | Gage Insert                                  | H                     | B                    | H1                     | L                       | F                   | L1                   | Shim     | Options      |            |  |
| Right Hand     | Left Hand                                      |  | Shank Height<br>±.004 | Shank Width<br>±.006 | Insert Height<br>±.003 | Overall Length<br>±.003 | Tip Offset<br>±.003 | Head Length<br>±.006 |          | Coolant Head | Parts List |  |
| DCLNR-124B     | <input type="checkbox"/> DCLNL-124B            | <input type="checkbox"/> CNMG-432            | 0.750                 | 0.750                | 0.750                  | 4.50                    | 1.188               | 1.188                | ICSN-433 | CHE-1002     | PLE-1002   |  |
| DCLNR-124C     | <input checked="" type="checkbox"/> DCLNL-124C | <input checked="" type="checkbox"/> CNMG-432 | 0.750                 | 0.750                | 0.750                  | 5.00                    | 1.188               | 1.188                | ICSN-433 | CHE-1002     | PLE-1002   |  |
| DCLNR-164B     | <input checked="" type="checkbox"/> DCLNL-164B | <input type="checkbox"/> CNMG-432            | 1.000                 | 1.000                | 1.000                  | 4.50                    | 1.250               | 1.250                | ICSN-433 | CHE-1002     | PLE-1002   |  |
| DCLNR-164C     | <input checked="" type="checkbox"/> DCLNL-164C | <input checked="" type="checkbox"/> CNMG-432 | 1.000                 | 1.000                | 1.000                  | 5.00                    | 1.250               | 1.250                | ICSN-433 | CHE-1002     | PLE-1002   |  |
| DCLNR-164D     | <input checked="" type="checkbox"/> DCLNL-164D | <input checked="" type="checkbox"/> CNMG-432 | 1.000                 | 1.000                | 1.000                  | 6.00                    | 1.250               | 1.250                | ICSN-433 | CHE-1002     | PLE-1002   |  |
| DCLNR-204D     | <input checked="" type="checkbox"/> DCLNL-204D | <input checked="" type="checkbox"/> CNMG-432 | 1.250                 | 1.250                | 1.250                  | 6.00                    | 1.500               | 1.250                | ICSN-433 | CHE-1002     | PLE-1002   |  |
| DCLNR-244D     | <input type="checkbox"/> DCLNL-244D            | <input type="checkbox"/> CNMG-432            | 1.500                 | 1.500                | 1.500                  | 6.00                    | 1.750               | 1.250                | ICSN-433 | CHE-1002     | PLE-1002   |  |

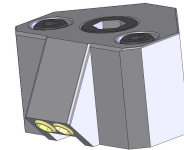
■ Normally Stocked    □ Special Order

Revised 5/27/08

## DCLNR/L - CNMG, 80° Diamond

All prices are in US Dollars

This tool is designed for turning and facing applications where cutting loads are heavy. The DWLNR/L or GWLNR/L is more economical (6 tips per insert) if insert grades and cutting conditions allow.



**Coolant Head**

### Metric Tool Holders

| Tool Holder Catalog Number |                |            |               |  |  |
|----------------------------|----------------|------------|---------------|--|--|
| Right Hand                 | Left Hand      | List Price | Weight (Lbs.) |  |  |
| DCLNR-2020J-12             | DCLNL-2020J-12 | \$375.50   | 0.92          |  |  |
| DCLNR-2020K-12             | DCLNL-2020K-12 | \$375.50   | 0.92          |  |  |
| DCLNR-2525K-12             | DCLNL-2525K-12 | \$389.50   | 1.85          |  |  |
| DCLNR-2525M-12             | DCLNL-2525M-12 | \$389.50   | 1.85          |  |  |
| DCLNR-3225P-12             | DCLNL-3225P-12 | \$419.50   | 2.3(est)      |  |  |

### Metric Parts

| Accessories & Parts (Applies to all sizes) |             |          |
|--|-------------|----------|
| Description                                | Part Number | Price    |
| Coolant Head                               | CHM-1002    | \$124.00 |
| Shim Kit                                   | SK-CNMG-4M  | \$23.50  |
| Clamp Kit (RH)                             | CK-CNMG-4RM | \$54.50  |
| Clamp Kit (LH)                             | CK-CNMG-4LM | \$54.50  |
| Cam Rod Kit                                | RK-1002R/L  | \$29.95  |

### Inch Tool Holders

| Tool Holder Catalog Number |            |            |               |  |  |
|----------------------------|------------|------------|---------------|--|--|
| Right Hand                 | Left Hand  | List Price | Weight (Lbs.) |  |  |
| DCLNR-124B                 | DCLNL-124B | \$375.50   | 0.84          |  |  |
| DCLNR-124C                 | DCLNL-124C | \$375.50   | 0.94          |  |  |
| DCLNR-164B                 | DCLNL-164B | \$389.50   | 1.34          |  |  |
| DCLNR-164C                 | DCLNL-164C | \$389.50   | 1.51          |  |  |
| DCLNR-164D                 | DCLNL-164D | \$389.50   | 1.79          |  |  |
| DCLNR-204D                 | DCLNL-204D | \$419.50   | 2.68          |  |  |
| DCLNR-244D                 | DCLNL-244D | \$449.50   |               |  |  |

### Inch Parts

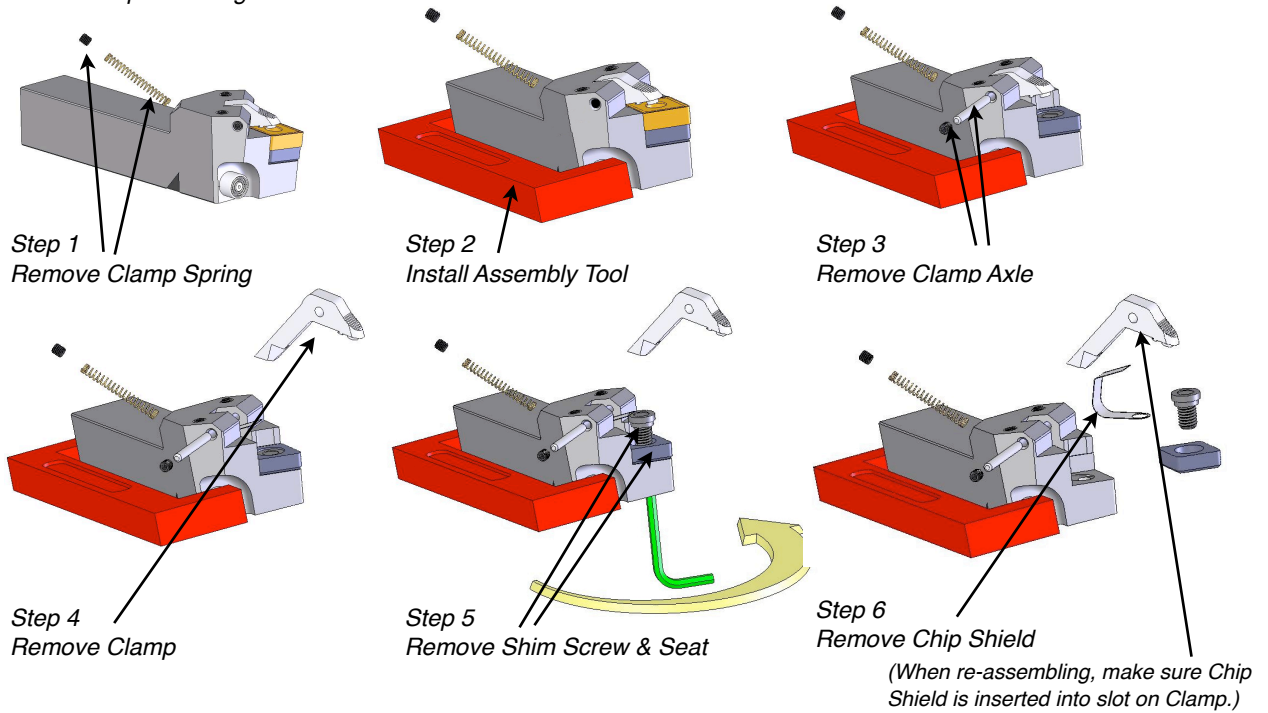
| Accessories & Parts (Applies to all sizes) |             |          |
|--|-------------|----------|
| Description                                | Part Number | Price    |
| Coolant Head                               | CHE-1002    | \$124.00 |
| Shim Kit                                   | SK-CNMG-4   | \$23.50  |
| Clamp Kit (RH)                             | CK-CNMG-4R  | \$54.50  |
| Clamp Kit (LH)                             | CK-CNMG-4L  | \$54.50  |
| Cam Rod Kit                                | RK-1002R/L  | \$29.95  |

# Click Change Disassembly & Assembly Instructions

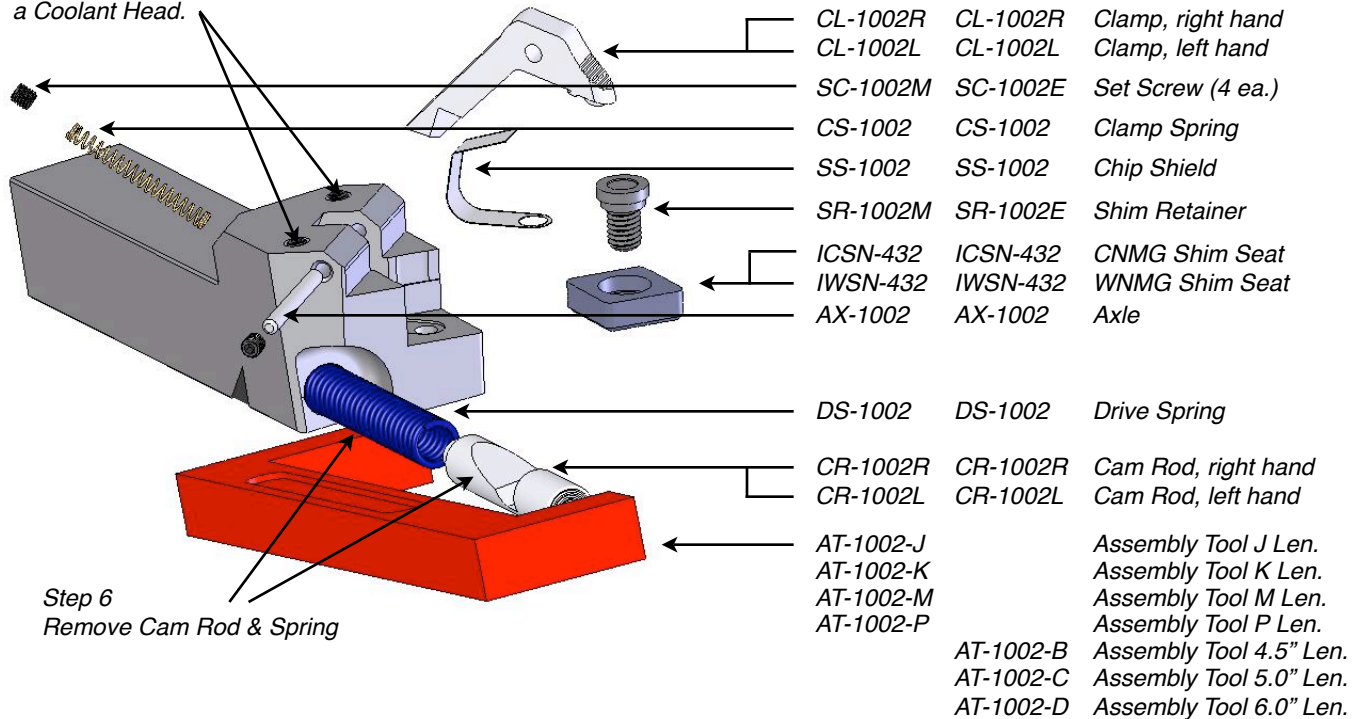
U.S. Patent 7153069 other US & foreign patents pending  
Specifications are subject to change without notice

## DCLNR/L & DWLNR/L Tool Holder Disassembly

Follow Steps 1 through 6.



These two screws are to be removed only when installing a Coolant Head.



## DCLNR/L & DWLNR/L Tool Holder Assembly

Follow the procedure above in reverse order. Use a medium grease on the Cam Rod (NLGI #2) and Clamp. Use Locktite #242 (Blue) on the set screws. Note that the Shim Retainer is a right handed thread. The Shim Seat can be removed and replaced without disassembling the tool holder.

# Click Change Parts List & Prices

U.S. Patent 7153069 other US & foreign patents pending  
Specifications are subject to change without notice

## DCLNR/L & DWLNR/L Individual Parts Price List

| Part Number | Metric/<br>Inch | Description                     | Price<br>Each | Quantity per Kit |   |   |   |   |   |   |   |   |
|-------------|-----------------|---------------------------------|---------------|------------------|---|---|---|---|---|---|---|---|
| CL-1002R    | Either          | Clamp, right hand               | \$34.50       |                  |   |   | 1 | 1 |   |   |   |   |
| CL-1002L    | Either          | Clamp, left hand                | \$34.50       |                  |   |   |   | 1 | 1 |   |   |   |
| SC-1002M    | Metric          | Setscrew (3x3mm)                | \$2.50        |                  |   |   | 2 | 2 |   |   |   |   |
| SC-1002E    | Inch            | Setscrew (6-40 x .125")         | \$2.50        |                  |   |   |   |   | 2 | 2 |   |   |
| CS-1002     | Either          | Clamp Spring                    | \$4.50        |                  |   |   | 1 | 1 | 1 | 1 |   |   |
| SS-1002     | Either          | Chip Shield                     | \$9.75        |                  |   |   | 1 | 1 | 1 | 1 |   |   |
| SR-1002M    | Metric          | Shim Retainer (5mm thread)      | \$17.45       | 1                | 1 |   |   |   |   |   |   |   |
| SR-1002E    | Inch            | Shim Retainer (10-32 Thread)    | \$17.45       |                  | 1 | 1 |   |   |   |   |   |   |
| ICSN-432    | Either          | Shim Seat (CNMG Industry Std.)  | \$8.50        | 1                | 1 |   |   |   |   |   |   |   |
| IWSN-432    | Either          | Shim Seat (WNMG Industry Std.)  | \$8.50        |                  |   | 1 | 1 |   |   |   |   |   |
| AX-1002     | Either          | Axle                            | \$5.50        |                  |   |   | 1 | 1 | 1 | 1 |   |   |
| DS-1002     | Either          | Drive Spring                    | \$12.95       |                  |   |   |   |   |   |   | 1 | 1 |
| CR-1002R    | Either          | Cam Rod, right hand             | \$17.95       |                  |   |   |   |   |   |   |   | 1 |
| CR-1002L    | Either          | Cam Rod, left hand              | \$17.95       |                  |   |   |   |   |   |   | 1 |   |
| AT-1002-J   | Metric          | Assembly tool, Metric J length  | \$28.50       |                  |   |   |   |   |   |   |   |   |
| AT-1002-K   | Metric          | Assembly tool, Metric K length  | \$28.50       |                  |   |   |   |   |   |   |   |   |
| AT-1002-M   | Metric          | Assembly tool, Metric M length  | \$28.50       |                  |   |   |   |   |   |   |   |   |
| AT-1002-P   | Metric          | Assembly tool, Metric P length  | \$28.50       |                  |   |   |   |   |   |   |   |   |
| AT-1002-B   | Inch            | Assembly tool, Inch 4.5" length | \$28.50       |                  |   |   |   |   |   |   |   |   |
| AT-1002-C   | Inch            | Assembly tool, Inch 5.0" length | \$28.50       |                  |   |   |   |   |   |   |   |   |
| AT-1002-D   | Inch            | Assembly tool, Inch 6.0" length | \$28.50       |                  |   |   |   |   |   |   |   |   |

## DCLNR/L & DWLNR/L Kit Components

| Part number | Description             | Price   |
|-------------|-------------------------|---------|
| SK-CNMG-4M  | Metric CNMG Shim Kit    | \$23.50 |
| SK-CNMG-4   | Inch CNMG Shim Kit      | \$23.50 |
| SK-WNMG-4M  | Metric WNMG Shim Kit    | \$23.50 |
| SK-WNMG-4   | Inch WNMG Shim Kit      | \$23.50 |
| CK-CNMG-4RM | Metric, R.H., Clamp Kit | \$54.50 |
| CK-CNMG-4LM | Metric, L.H., Clamp Kit | \$54.50 |
| CK-CNMG-4R  | Inch, R.H., Clamp Kit   | \$54.50 |
| CK-CNMG-4L  | Inch, L.H., Clamp Kit   | \$54.50 |
| RK-1002R    | Cam Rod Kit, R.H        | \$29.95 |
| RK-1002L    | Cam Rod Kit, L.H        | \$29.95 |

