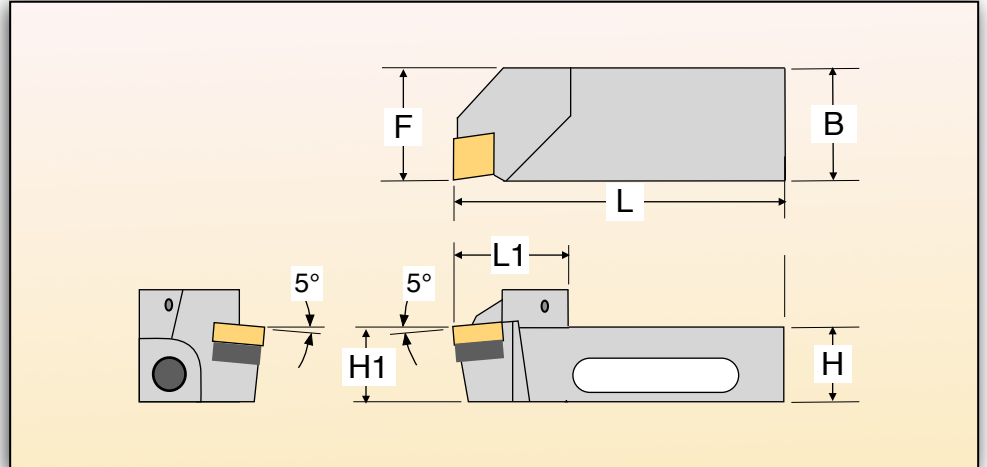
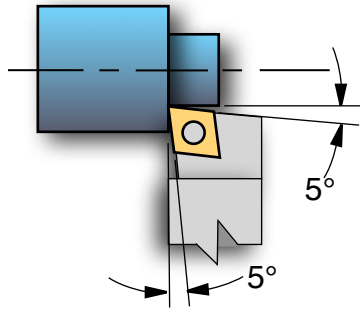




Lathe Tool Holders (Swiss Style)

U.S. Patent 7153069 other US & foreign patents pending
Specifications are subject to change without notice

FCLNR/L - CNMG, 80° Diamond



Metric Sizes

Catalog Number			Gage Insert	Dimensions in Millimeters									
Right Hand		Left Hand		H	B	H1	L	F	L1	Shim	Options		
Shank Height ±.10		Shank Width ±.15		Insert Height ±.08	Overall Length ±.08	Tip Offset ±.08	Head Length ±.15				Coolant Head Right Hand	Coolant Head Left hand	
FCLNR-1221H-12	■	FCLNL-1221H-12	■	CNMG 09 03 08	12.00	21.00	12.00	100.00	21.00	23.00	ICSN-322	CHM-1003R	CHM-1003L
FCLNR-1622H-12	■	FCLNL-1622H-12	■	CNMG 09 03 08	16.00	22.00	16.00	100.00	22.00	23.00	ICSN-322	CHM-1003R	CHM-1003L
FCLNR-2025H-12	■	FCLNL-2025H-12	■	CNMG 09 03 08	20.00	25.00	20.00	100.00	25.00	25.00	ICSN-322	CHM-1003R	CHM-1003L

■ Normally Stocked □ Special Order

Inch Sizes

Catalog Number			Gage Insert	Dimensions in Inches									
Right Hand		Left Hand		H	B	H1	L	F	L1	Shim	Options		
Shank Height ±.004		Shank Width ±.006		Insert Height ±.003	Overall Length ±.003	Tip Offset ±.003	Head Length ±.006				Coolant Head Right Hand	Coolant Head Left Hand	
FCLNR-083A	■	FCLNL-083A	■	CNMG-322	0.500	0.820	0.500	4.00	0.820	0.875	ICSN-322	CHE-1003R	CHE-1003L
FCLNR-103A	■	FCLNL-103A	■	CNMG-322	0.625	0.820	0.625	4.00	0.820	0.875	ICSN-322	CHE-1003R	CHE-1003L
FCLNR-123B	■	FCLNL-123B	■	CNMG-322	0.750	1.000	0.750	4.50	1.000	0.900	ICSN-322	CHE-1003R	CHE-1003L

■ Normally Stocked □ Special Order

Revised 7/18/08

FCLNR/L Metric - 80° Diamond



Coolant Head



FCLNR-103A Shown

Metric Tool Holders			
Catalog Number		Tool Holder	
Right Hand	Left Hand	List Price	Weight (Lbs.)
FCLNR-1221H-12	FCLNL-1221H-12	\$247.13	0.43
FCLNR-1622H-12	FCLNL-1622H-12	\$261.38	0.45
FCLNR-2025H-12	FCLNL-2025H-12	\$281.63	0.67

Metric Parts		
Accessories & Parts (Applies to all sizes)		
Description	Part Number	Price
Coolant Head R.H.	CHM-1003MR	\$124.00
Coolant Head L.H.	CHM-1003ML	\$124.00

Inch Tool Holders			
Catalog Number		Tool Holder	
Right Hand	Left Hand	List Price	Weight (Lbs.)
FCLNR-083A	FCLNL-083A	\$247.13	0.43
FCLNR-103A	FCLNL-103A	\$261.38	0.45
FCLNR-123B	FCLNL-123B	\$281.63	0.67

Inch Parts		
Accessories & Parts (Applies to all sizes)		
Description	Part Number	Price
Coolant Head R.H.	CHE-1003ER	\$124.00
Coolant Head L.H.	CHE-1003EL	\$124.00